

APPLICATION

Finn-Aqua Multiple-Effect Water Stills (MWS) are designed to consistently generate Water for Injection (WFI). The produced WFI is intended for use in the preparation of parenteral solutions, for washing and final rinse in GMP washers and terminal sterilizers.

DESCRIPTION

Finn-Aqua T-Series Multiple-Effect Water Stills operate based on Finn-Aqua's original, proven falling film design to remove pyrogenic material. The water stills are steam heated and include a Programmable Logic Controller (PLC) for easy operation and monitoring. The Multiple-Effect Water Stills are designed, manufactured, tested and documented to current Good Manufacturing Practices (cGMP) compliance. The quality of the generated WFI meets or exceeds the latest versions of United States Pharmacopeia (USP), European Pharmacopeia (EP) and Japanese Pharmacopeia (JP) WFI specifications.



(Typical only - some details may vary.)

The Selections Checked Below Apply To This Equipment

CONTROL

- Siemens
- Allen-Bradley

VOLTAGE

- 300-500 Vac, 50 Hz, 3-Phase
- 208-480 Vac, 60 Hz, 3-Phase

**CONTROL SYSTEM AND INSTRUMENTATION
 OPTIONS**

- Control Cabinet Accessories Upgrade
- Ethernet Industrial Connection (Siemens)
- Ethernet Industrial Connection (Allen-Bradley)
- Allen-Bradley ControlLogix
- Feed Water Conductivity Sensor (Thornton)
- Feed Water Conductivity Sensor (Endress & Hauser)
- Feed Water Sample Valve, Diaphragm Type
- Utility Monitoring and Measurement with Endress & Hauser Process Instrumentation
- Two (2) Channel Pen Chart Recorder
- Five (5) Channel Paperless Recorder (21 CFR Part 11 Compliant)
- Six (6) Channel Paperless Recorder (21 CFR Part 11 Compliant)
- Three (3) Channel Pen Chart Recorder
- Ground Fault Indicator (GFI) for Allen-Bradley Control

MECHANICAL OPTIONS

- Plant (Heating) Steam Pressure Reducing Valve
- Utility Monitoring and Measurement
- Distillation Against Back Pressure
- Piping Sanitization*
- Non Evaporated Feed Water Re-circulation
- Automatic Blowdown measurement
- Simultaneous Pure Steam and WFI Production (Units 450-T-X to 7500-T-X)
- Pure Steam Generator (PSG) Operation (Units 450-T-X to 2900-T-X)
- Proportional Capacity Control (PCC)*
- Reject Distillate Cooler (Heat Exchanger)
- Blowdown and Gas/De-aeration Cooler (Heat Exchanger)
- Closed Loop Cooling Water Re-circulation System
- Frame Stainless Steel
- Seismic Restraints and Calculations
- Additional Passivation after FAT

**MANUFACTURING TESTING AND
 DOCUMENTATION OPTIONS**

- Extended Pressure Vessel and Piping Documentation
- Manufacturing Procedures Documentation
- Extended Control System Validation Documentation
- FAT Procedures and Results
- Component Data Sheets
- Loop Diagrams
- Additional Copy of Documentation
- Surface Finish Inspection Report (Pressure Vessel and Piping)
- Boroscope Inspection of Pipe Welding on DVD
- EP/USP WFI Test
- Endotoxin Challenge Test (WFI and Feed Water)

OPTIONAL FACTORY ACCEPTANCE TESTING

- Additional FAT Day

SPARE PARTS

- Spare Parts Kit
- Installation Kit

* Not available for 250-T-X

Item _____
 Location(s) _____

STANDARDS

The Finn-Aqua T-Series Multiple-Effect Water Stills meet the applicable requirements for the following:

- cGMP, CFR Title 21, Part 211, Section D
- Good Automation Manufacturing Practices (GAMP 5), A Risk-Based Approach to Compliant GxP Computerized Systems
- 21 CFR Part 11/EU Annex 11
- ISO 9001:2008 Certification, Approved by Lloyd's Register Quality Assurance Limited
- 97/23/EC (Pressure Equipment Directive) Certification, Module H/H1 and SFS-EN ISO 3834-2
- Certification of Authorization to Use ASME Code "U"-stamp
- CE Compliance
 - » Pressure Equipment Directive 97/23/EC
 - » Machine Directive 98/37/EC
 - » Low Voltage Directive 2006/95/EC
 - » Electro Magnetic Compatibility 2004/108/EY
- ASME BPE 2012
- International Electric Code IEC 60204-1/EN 60204-1
- UL 508 Standard for Industrial Control Equipment
- National Electrical Code (NEC)
- Canadian Standards Association (CSA)

FEATURES

Three-Stage Separation Process

Finn-Aqua's patented three-stage separation technology ensures high quality WFI free of endotoxins, pyrogens and droplets. The three-stage separation provides:

- Separation by falling film flash evaporation
- Gravity separation by 180° steam flow turn
- Centrifugal separation where only pure steam flow can enter to the next column as heating steam

Continuous Gas Separation

Finn-Aqua's unique feed water gas separation spray nozzle is a standard feature designed to reduce the content of non-condensable gases in produced Pure Steam to meet EN285 requirements.

Continuous Blowdown

Finn-Aqua utilizes an unique distillation process within the water stills. Concentrated feed water containing all impurities, pyrogens and harmful particles is considered "blowdown" and is directed to drain. This blowdown removal is continuous, providing the following advantages:

- Reliable distillation in all process conditions
- Highest WFI quality
- WFI production is a continuous process, thus blowdown removal is a continuous process

Blowdown Removal from Each Column

Along with continuous blowdown, Finn-Aqua's unique distillation also has blowdown removal from each column separately, providing the following advantages:

- Impurities are prevented from being transferred to the next stage

- Highest WFI quality
- Reduced plant steam and feed water use: the rejected rate (blowdown) is from 10-15%. With special nonevaporated feed water recirculation option, the blowdown amount can be reduced down to 5%*.

Unique Pipe Joining Method

Within all the columns, preheaters and condensers, the heat exchanger pipes are expanded to the flanges without welding. This provides:

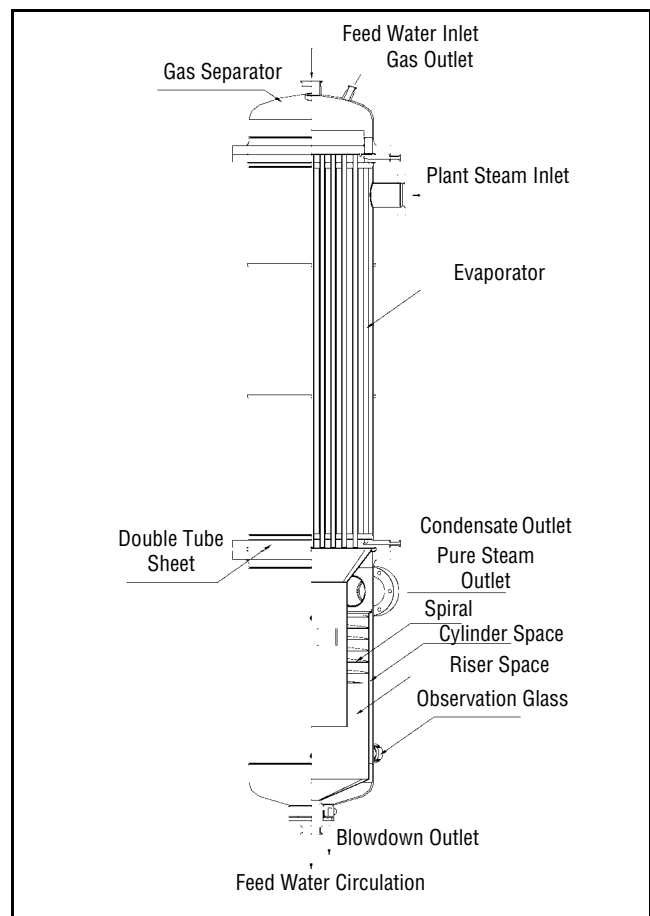
- No thermal cracking
- Less maintenance and shut-down period
- Long heat exchanger life length

Single point power supply

- Requires only one power connection to the unit

Small footprint and height

- Reduced external dimension enables the equipment to be installed in rooms with limited space



Typical Multiple-Effect Water Still First Column Cross Sectional Detail

* The Finn-Aqua T-Series Multiple-Effect Water Stills reduce plant steam consumption by 5% and feed water consumption by 7-10% over previous models with nonevaporated feed water recirculation option.

Control System Allen Bradley:

Allen-Bradley CompactLogix™ CPU 1769-L24 with PanelView™ Plus 6-1250 12.5" Touch Panel Operator Interface¹

Control System Siemens:

Siemens SIMATIC® TP1200 12" Touch Panel with PLC SIMATIC CPU 315²

Factory Acceptance Test (FAT) / qualification is included for all Finn-Aqua T-Series models. The FAT includes:

- **Installation Checks (IC)** are performed to verify that the physical aspects of the water still have been manufactured in accordance with applicable design drawings and specifications.
- **Operational Checks (OC)** are performed to test the unit's functionality and guarantee that it is working in accordance with the functional specification. Multiple test bays are designed to test the unit using simulated site conditions. All tests are documented in the qualification documentation.

Validation Documentation – Documentation supplied with the Multiple-Effect Water Still is unique and prepared for the specified unit. The following documentation is supplied as standard (also in electronic format):

User's Manual (Operation and Maintenance Manual) – A standard User's Manual is provided to guide the end user to install, operate, configure, calibrate, troubleshoot and service the unit. It is divided into the following sections:

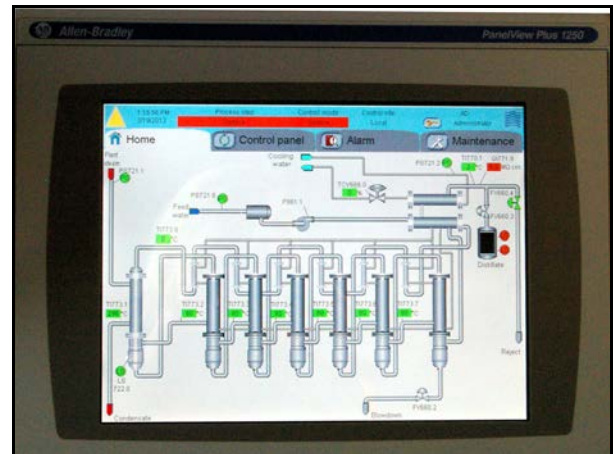
- Transportation, uncrating and installation instructions
- Operation Manual
- Maintenance Manual
- Equipment Drawings and Parts Lists
- Manufacturer's component data sheets (only in electronic format)

Manufacturing Documentation – The standard Manufacturing Documentation binder provides the following information:

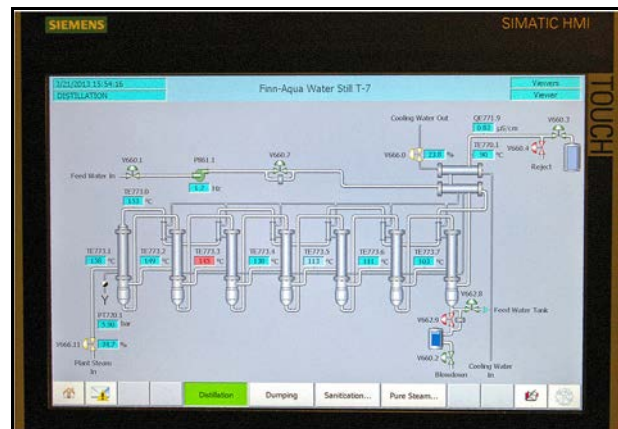
- ISO 9001 Certificate
- Pressure Vessel Design Drawings and Parts Lists
- Material Certificates (Pressure Vessels)
- Certificate of Compliance for Piping Materials
- Surface Treatment Certificate

Control System Validation Documentation – The standard Control System Document file provides the following information:

- Software Development Guideline SOP E-4039
- Change Control SOP E-4040
- PLC Source Code Listing
- Functional Specification



Allen-Bradley PanelView Plus 6-1250 User Interface



Siemens SIMATIC TP 1200 12" Color User Interface

FAT Results – The standard FAT results file is created for the tests performed during the factory qualification process. FAT documentation includes:

- **General Information:** Documentation defines the format of the qualification documents such as testing prerequisites, format of test procedures, recording of results, action on test results, acceptance of test results, reference documents, document approval and personnel involved in the FAT process.
- **Installation Check (IC) Functions** specify the objectives and results of the items performed as previously described in the FAT Phases IC.
- **Operation Check (OC) Functions** specify the objectives and results of the items performed as previously described in the FAT Phases OC:
- **Calibration Certificates:** For instruments delivered and tested.
- **Each test procedure or report** is segmented with the following information fields:
 - » Document title
 - » Alphanumeric test reference identification
 - » Test objective
 - » Results block (pass/fail)

1. CompactLogix™ and PanelView™ are trademarks of Allen-Bradley, a Rockwell Automation Company.
2. Siemens SIMATIC® is a registered trademark of Siemens AG.

OPTIONAL FEATURES

Control Cabinet Accessories Upgrade. The control cabinet is equipped with cabinet light, electrical socket, 240 V or 120 V, and ventilation grate and ventilation fan to cool down the cabinet.

EtherNet Industrial Connection (Allen-Bradley) includes hardware components to enable data reading from Central Processing Unit (CPU) (all Operator Interface [OI's], measurements, process steps and alarms). Additionally, the unit can be stopped/started and acknowledge the active alarms.

EtherNet Industrial Connection (Siemens) contains hardware component for data reading from the unit (all IO's, measurements, process steps and alarms) via standard data blocks. Unit can be stopped / started and active informative & aborting alarms can be acknowledged.

Allen-Bradley ControlLogix™ with PanelView™ Plus 1000¹ option replaces the standard Allen-Bradley CompactLogix with ControlLogix and PanelView Plus 1000.

Ground Fault Indicator (GFI) for Allen-Bradley Control. Ground Fault Indicator (GFI) is installed to sense low level (arcing) ground faults that are below the fuse or circuit breaker rating and may therefore go undetected. GFI is intended for equipment protection only. GFI system consists of a relay and a sensor. Operation of the ground fault detection system is indicated on the operator interface.

Feed Water Conductivity Sensor. Feed water line is fitted with a conductivity probe to monitor the feed water quality in conductivity or resistivity. This probe is used with the two-channel conductivity analyzer provided with the unit. If a recorder option is selected, feed water recorder pen and interconnecting wiring are installed in the system to enable the recorder to record the feed water conductivity or resistivity.

Utility Monitoring and Measurement with Endress+Hauser Process Instrumentation. The standard Thornton instrumentation of the unit is replaced by Endress+Hauser Process Instruments. Temperature, pressure, conductivity and flow instruments are changed.

Recorder options. Two- or three-channel pen chart recorders are provided to continuously record the distillate and/or feed water conductivity or resistivity. Also a 21 CFR Part 11 compatible, five- or six-channel paperless recorder is available. The acquired process information can be stored onto a Compact Flash card or transferred online to the client's network for further analysis. Typically, this recorder is used for recording feed water and distillate conductivity/resistivity and distillate temperature, and to print the position of the diverting valve. Other free channels are available for Customer use.

Plant (Heating) Steam Pressure Reducing Valve. For Multiple-Effect Water Still, the plant steam pressure is reduced and stabilized by using a Pressure Reducing Valve (PRV) installed in the plant steam line. The PRV allows the plant steam pressure to be manually adjusted between 3 - 8 bar (44 - 116 psig) as required. A PRV is also required if Customer's plant

steam supply pressure exceeds 8.6 bar (125 psig) or is unstable.

Utilities Monitoring and Measurement Option adds temperature elements/transmitters for columns. It also adds pressure switches and pressure gauges to monitor/measure the utilities and their availability.

Distillation Against Back Pressure. As standard, the Multiple-Effect Water Still is designed for gravity discharge of distillate. With this option, the process is designed to operate against 300 mbar/3 m (4.35 psig/9 ft) back pressure to overcome the WFI distribution system back pressure. This feature eliminates the need for additional sub-frames, distillate pumps or other modifications. This option is typically selected when the distillate outlet from the Multiple-Effect Water Still is lower than the tank inlet or there is back pressure in the WFI tank such as from a nitrogen blanket.

Piping Sanitation. As standard, the Multiple-Effect Water Still goes through a preconfigured sanitization step. This step sanitizes the pure steam and WFI contact surfaces. This option is designed to sanitize the feed water piping in addition to the pure steam and WFI piping. The water still is equipped with accessories to allow sanitizing above 80°C (176°F) of all feed water piping, preheaters, columns and condensers.

Nonevaporated Feed Water Recirculation. This option is intended to reduce the total feed water consumption. Two-thirds of the nonevaporated feed water (blowdown) is directed back to the feed water tank for recirculation. The feature decreases the total blowdown percentage to 5%, ±2%.

Automatic Blowdown Measurement. With this option, the blowdown is directed to an external graduated container before discharge to drain. The blowdown amount is continuously measured and the blowdown percentage is displayed on the operator panel.

Simultaneous Distillation and Pure Steam Production (Units 450-7500-T-X). This option enables the Multiple-Effect Water Still to produce WFI and pure steam simultaneously. The pure steam outlet pressure from the Multiple-Effect Water Still is at maximum 3 bar g (44 psig) ±0.5 bar g (7 psig), based on a minimum plant steam pressure of 5 bar g (72 psig). The control system monitors and automatically adjusts the plant steam and feed water pressures to maintain the user configured pure steam set pressure. While this feature is activated, the distillate capacity is reduced. The resulting capacity reduction depends on the pure steam consumption. Pure steam production is approx. 30% of the same size PSG-T with same utility values.

Pure Steam Generator (PSG) Operation (Units 450-2900-T-X). This option enables the Multiple-Effect Water Still to produce pure steam at the capacity of 70% when compared to an equal size T-model pure steam generator capacity at equal operating point (plant steam pressure vs. pure steam pressure). During this process phase, the unit produces pure steam by using the first column only. Simultaneous distillate production is prevented by automatic valves isolating the rest of the unit from the first column.

1. CompactLogix™ and PanelView™ are trademarks of Allen-Bradley, a Rockwell Automation Company.

Proportional Capacity Control (PCC) (Units 450-7500-T-X).

PCC provides fast, smooth, continuous operation of the Multiple-Effect Water Still that minimizes dumping of distillate by avoiding repeated cycling (starting and stopping) of the unit. The feature conserves utilities and saves time. PCC increases life cycle and service duty of the equipment because automatic control minimizes operating fluctuations and thermal variations. Two alternative operational modes are available: Pressure mode (fixed parameters for feed water pump frequency and plant steam pressure) and Tank Level Control (proportional operation based on the signal from the WFI tank).

Reject Distillate Cooler (Heat Exchanger). This option is designed to cool the reject distillate from 99°C (210°F) to temperatures at or below 60°C (140°F) using a closed loop cooling system. The plate heat exchanger arrangement is designed to use cooling water with an inlet temperature at 15°C (59°F). The assembly is manufactured from AISI 316 stainless steel. Activation of the cooling water on/off valve is configured to coincide with the operational status of the Multiple-Effect Water Still.

Blowdown and Gas/De-aeration Cooler (Heat Exchanger).

This option is designed to cool the reject distillate from 99°C (210°F) to temperatures at or below 60°C (140°F) using a closed loop cooling system. The plate heat exchanger arrangement is designed to use cooling water with an inlet temperature at 15°C (59°F). The assembly is manufactured from AISI 316 stainless steel. Activation of the cooling water on/off valve is configured to coincide with the operational status of the Multiple-Effect Water Still.

Closed Loop Cooling Water Recirculation System. A closed loop cooling water recirculation system is used if the facility cooling water closed loop system is not designed to function with significant temperature or pressure differentials and a facility bypass/mixing arrangement cannot be used. The system is designed to maintain primary cooling water temperature difference of the condenser cooling water loop by utilizing the Customer's facility cooling water loop conditions on the secondary side. The secondary side of the process is designed for small pressure differential (max. 1 bar (14.5 psi) and high flow rates due to small temperature difference, e.g., 10°C (50°F) between inlet and outlet of the secondary (facility cooling water loop) side. The closed cooling water recirculation loop system is segmented into a primary (water still cooling water loop) and secondary (facility cooling water loop) system.

Stainless-Steel Frame. The standard epoxy painted carbon steel framework is replaced with framework manufactured of AISI 304 stainless steel. The construction is fully welded with an external glass beaded surface finish.

Seismic Restraints and Calculations are provided for the unit per latest California Uniform Building Code (UBC) as standard and certified by a California registered Engineering Company. Calculations are designed to meet seismic, zone 3 and 4 requirements. The provided angle brackets and frame mounting hardware are manufactured from AISI 304 stainless steel.

MANUFACTURING, TESTING, DOCUMENTATION OPTIONS AND SPARE PARTS

Extended Pressure Vessel Documentation adds the following material to the standard Manufacturing Documentation:

- Pressure Vessel Welding Logs
- Welders' Qualifications
- Welding Procedure Specifications (WPS) for Pressure Vessels
- Passivation Certificate
- Electropolishing Certificate

Extended Piping Documentation binder adds the following material to the standard Manufacturing Documentation:

- Isometric Drawings and Welding Logs
- Welders' Qualifications
- Welding Procedure Specifications (WPS) for Piping
- Material Certificates (Piping)
- Component Certificates
- Surface Treatment Certificate

Manufacturing Procedures Documentation provides the Standard Operating Procedures (SOP) used during Manufacturing steps.

Extended Control System Validation Documentation

package adds the following material to the standard package:

- Software Design Specification
- Hardware Design Specification
- Software Test Documentation
- PLC Change Control Documentation
- Input/Output (I/O) List

FAT Procedures and Results package integrates detailed written procedures and test plans into the FAT report. This material may then be used as a basis for the Customer's SOP's used to complement their IQ/OQ requirements during Site Acceptance Test (SAT).

With this option, the blank forms are provided on a CD (Microsoft Word®¹ format).

The FAT Procedures and Results package adds the following material to the standard package:

- Specification reference source
- Installation Checks step-by-step procedures
- Operational Checks step-by-step procedures

Component Data Sheets for main process instruments and components supplied on the system. The data sheet information consists of critical data such as Finn-Aqua item numbers, component type/usage, manufacturer, model number, pressure and temperature range, material of construction, functional connections, etc.

¹ Microsoft Word® is a registered trademark of Microsoft Corporation.

Loop Diagrams include individual loop diagrams that are provided for each control loop or inter-connecting wiring between associated equipment and apparatus in the system. The component tag number(s), terminal number(s) and wire colors are indicated in each diagram.

Additional Copy of Documentation. An additional hard copy of the complete documentation set is provided, including the user's manual, FAT documentation, as well as the manufacturing and control system documentation (standard and optional). Manufacturer's booklets and CDs for installation, operation and maintenance for control systems, instrumentation and components are excluded.

Surface Finish Inspection Report (Pressure Vessel and Piping). This option provides surface finish instrument documentation, test procedures, inspection report and surface finish measurement data in μmRa .

Boroscope Inspection of Pipe Welding on DVD. As standard, all feed water, pure steam and distillate line welds are visually inspected during manufacturing according to STERIS Finn-Aqua procedures.

With this option, isometric diagrams are created and all welds are logged. Each weld is then sequentially inspected using a boroscope. The inspection is recorded on a DVD for reference purposes.

European Pharmacopeia/United States Pharmacopeia [EP/USP] WFI Test. A sample of the distillate is extracted from Finn-Aqua Multiple-Effect Water Still and analyzed for the following constituents:

- Current EP water monograph substances
- Colony Forming Units (CFU)
- Total Organic Carbon (TOC) level

Endotoxin Challenge Test (WFI and Feed Water). In order to demonstrate an effective reduction of endotoxins, a Limulus Amebocyte Lysate (LAL) test method can be performed during FAT. To demonstrate the reduction, feed water to the unit is spiked with a minimum of 10 EU/mL endotoxins. The distillate produced must contain less than 0.25 EU/mL (as defined by USP as acceptance level). An independent laboratory performs the LAL test in accordance to international standards. Test procedure and test certificate are supplied with the documentation.

Additional FAT per Day. As standard, a STERIS Finn-Aqua FAT is scheduled for three days. FAT is extended by one day to allow the Customer to perform additional tests.

Spare Parts Kit is provided that contains selected mechanical components to fulfill the requirement for two years of normal maintenance and operation of the water still.

Installation Kit supports an effective installation on the Customer site by providing:

- Gaskets for the utility connections
- Counter (matching) flanges and fittings for all the utility connections

CONSTRUCTION

• Pressure Vessels:

- » AISI 316L Stainless-Steel Pressure Vessels. Pressure vessels are designed to a pressure rating of 9.0 bar (131 psig) at 183°C (361°F). Pressure vessels built according to ASME/PED or many other international standards.
- » All heat exchangers in contact with heating steam or feed water, first column, and preheaters and condensers are made of a double-tube sheet design preventing cross-contamination from lower purity media to higher purity media. The heat exchanger tubes are expanded, not welded, into the end of tube sheet to avoid thermal cracking.
- » Surface finish in contact with distillate, pure steam and feed water is polished / electropolished to $\text{Ra} < 0.6 \mu\text{m}$ (25 μinch).
- » Columns and preheaters are insulated with noncorrosive mineral wool (in compliance with ASTM C 795) with 304 stainless-steel bright annealed sheathing.

• Piping:

- » AISI 316L stainless-steel or better piping and components for feed water, pure steam and distillate. All piping located outside of the pressure vessels are according to ASTM A269 or A270, ASME SA213/213M.
- » Sanitary Flange Connections for clean utilities.
- » Orbital Welded Pipes and Components (where feasible).
- » Automatic orbital welding techniques are utilized where feasible. Argon of minimum 99.998% purity is used as protective inert gas.
- » Surface finish for pipes in contact with distillate, pure steam and feed water is polished/electropolished to $\text{Ra} < 0,6 \mu\text{m}$ (25 μinch).
- » A maximum of 3D for dead legs is maintained on the distillate, pure steam and feed water lines where feasible.
- » A capped tri-clamp drain port is located in the lowest point of the system. All horizontal pipe runs are sloped a minimum of 1-2° to promote drainage where feasible.
- » All gaskets used are of pharmaceutical grade conforming to Food and Drug Administration (FDA) regulations, e.g., Polytetrafluoroethylene (PTFE), Ethylene Propylene Diene Monomer (EPDM) or silicone.

UTILITY REQUIREMENTS

Steam

3-8 bar g

97-100% Saturated Steam

Max. $\pm 5\%$ Pressure Variations

Feed Water

2-6 bar g

Temperature 10-20°C (50-68°F)

Conductivity $< 5\mu\text{S/cm}$ at 25°C (77°F)

pH 5-7

Silica < 1 ppm

Chloride < 100 ppb

Chlorine < 100 ppb

UNIT DIMENSIONS

Finn-Aqua T-Series Multiple-Effect Water Stills reduced external dimensions enables the equipment to be installed in rooms with limited space

Electrical

380-415 V, 50 Hz, 3-Phase

208-600 V, 60 Hz, 3-Phase

Compressed Air

6-8 bar

Clean, dry, oil free

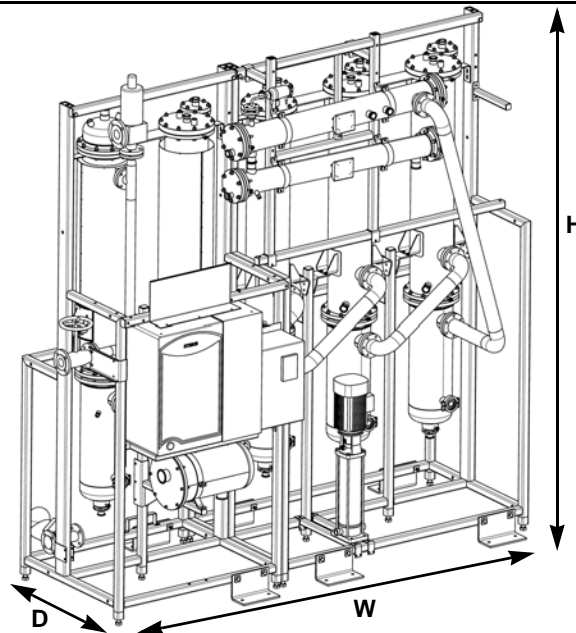
Cooling Water

3-7 bar g

Temperature 5-20°C (41-68°F)

Hardness not to exceed 125 ppm as CaCO₃ (7° dH)

NOTE: Typical only. Not for construction.



Model	Width (W) (mm)					Depth (D) (mm)	Height (H) (mm)	Height of Distillate Outlet (mm)	Net Weight (kg)				
	Number of Columns								Number of Columns				
	4	5	6	7	8				4	5	6	7	8
250-T	1380	1380	N/A	N/A	N/A	975	2170	1780	750	890	N/A	N/A	N/A
450-T	1956	2435	2915	N/A	N/A	1135	2825	2270	990	1190	1450	N/A	N/A
850-T	2000	2480	2960	N/A	N/A	1135	2830	2470	1310	1560	1890	N/A	N/A
1200-T	N/A	3195	3830	4465	N/A	1330	3165	2500	N/A	2080	2540	2890	N/A
1600-T	N/A	3195	3830	4465	N/A	1330	3465	2800	N/A	2240	2730	3110	N/A
2200-T	N/A	3270	3910	4540	N/A	1330	3165	2700	N/A	3050	3690	4230	N/A
2900-T	N/A	3270	3910	4540	5175	1330	3465	3000	N/A	3260	3930	4500	4960
4700-T	N/A	N/A	4300	5010	5710	1825	4280	3670	N/A	N/A	4880	5620	6220
7500-T	N/A	N/A	N/A	6090	6960	1760	4795	4100	N/A	N/A	N/A	11093	12547

CAPACITIES AND CONSUMPTIONS

Finn-Aqua Medium and Large T-Series Multiple-Effect Water Stills are heated by steam supplied at any pressure from 3-8 bar. The following tables reflect the still capacity and consumptions for steam delivered at 8, 7, 6, 5, 4 and 3 bar pressure and distillate output temperature at 99°C (210°F).

Distillate outlet temperature may be lower than 99°C with 7, 8 columns.

All plant steam pressure values of these tables indicate the pressure inside the first column. Please add 4% to these values to obtain the pressure level required in the plant steam supply. This is to compensate for the pressure losses in the plant steam inlet.

8	Plant Steam Consumption (kg/h) 8 bar 175°C (347°F) (9 bar a)						Cooling Water Consumption (l/h) 3 bar/15°C (59°F)					Feed Water Pressure 2-6 bar/15°C (59°F)
	Model	Capacity l/h	Number of Columns					Number of Columns				
4			5	6	7	8	4	5	6	7	8	
250-T	540	255	156	N/A	N/A	N/A	368	182	N/A	N/A	N/A	621
450-T	890	302	243	204	N/A	N/A	623	308	121	N/A	N/A	1,024
850-T	1,670	567	456	384	N/A	N/A	1,168	578	228	N/A	N/A	1,921
1200-T	2,600	N/A	699	575	495	N/A	N/A	930	384	0	N/A	2,990
1600-T	3,450	N/A	943	792	682	N/A	N/A	1,195	470	0	N/A	3,968
2200-T	4,714	N/A	1,267	1,082	931	N/A	N/A	1,687	697	0	N/A	5,421
2900-T	6,000	N/A	1,640	1,378	1,185	1,044	N/A	2,078	817	0	0	6,900
4700-T	10,750	N/A	N/A	2,469	2,124	1,871	N/A	N/A	1,465	0	0	12,363
7500-T	17,000	N/A	N/A	N/A	3,163	2,930	N/A	N/A	N/A	0	0	19,040

7	Plant Steam Consumption (kg/h) 7 bar 170°C (338°F) (8 bar a)						Cooling Water Consumption (l/h) 3 bar/15°C (59°F)					Feed Water Pressure 2-6 bar/15°C (59°F)
	Model	Capacity l/h	Number of Columns					Number of Columns				
4			5	6	7	8	4	5	6	7	8	
250-T	476	234	143	N/A	N/A	N/A	319	156	N/A	N/A	N/A	547
450-T	809	285	230	193	N/A	N/A	557	272	103	N/A	N/A	930
850-T	1,572	554	446	375	N/A	N/A	1,082	529	201	N/A	N/A	1,808
1200-T	2,423	N/A	677	557	479	N/A	N/A	843	338	0	N/A	2,786
1600-T	3,241	N/A	920	773	665	N/A	N/A	1,091	414	0	N/A	3,727
2200-T	4,395	N/A	1,227	1,049	901	N/A	N/A	1,529	612	0	N/A	5,054
2900-T	5,510	N/A	1,564	1,314	1,130	995	N/A	1,854	704	0	0	6,337
4700-T	9,693	N/A	N/A	2,311	1,988	1,751	N/A	N/A	1,238	0	0	11,147
7500-T	16,074	N/A	N/A	N/A	2,951	2,747	N/A	N/A	N/A	0	0	18,003

6	Plant Steam Consumption (kg/h) 6 bar 165°C (329°F) (7 bar a)						Cooling Water Consumption (l/h) 3 bar/15°C (59°F)					Feed Water Pressure 2-6 bar/15°C (59°F)
	Model	Capacity l/h	Number of Columns					Number of Columns				
4			5	6	7	8	4	5	6	7	8	
250-T	419	205	125	N/A	N/A	N/A	276	133	N/A	N/A	N/A	482
450-T	725	253	204	171	N/A	N/A	490	236	86	N/A	N/A	834
850-T	1,385	484	390	327	N/A	N/A	936	451	164	N/A	N/A	1,593
1200-T	2,232	N/A	619	509	437	N/A	N/A	753	291	0	N/A	2,567
1600-T	2,900	N/A	816	686	590	N/A	N/A	945	344	0	N/A	3,335
2200-T	4,047	N/A	1,122	959	823	N/A	N/A	1,366	527	0	N/A	4,654
2900-T	4,880	N/A	1,373	1,154	992	874	N/A	1,590	578	0	0	5,612
4700-T	8,636	N/A	N/A	2,041	1,756	1,546	N/A	N/A	1,024	0	0	9,931
7500-T	14,497	N/A	N/A	N/A	2,622	2,465	N/A	N/A	N/A	0	0	16,237

5	Plant Steam Consumption (kg/h) 5 bar 159°C (318°F) (6 bar a)						Cooling Water Consumption (l/h) 3 bar/15°C (59°F)					Feed Water Pressure 2-6 bar/15°C (59°F)
	Model	Capacity l/h	Number of Columns					Number of Columns				
4			5	6	7	8	4	5	6	7	8	
250-T	369	178	108	N/A	N/A	N/A	238	113	N/A	N/A	N/A	424
450-T	640	220	177	149	N/A	N/A	423	201	69	N/A	N/A	736
850-T	1,199	412	331	278	N/A	N/A	793	376	129	N/A	N/A	1,379
1200-T	2,012	N/A	549	452	387	N/A	N/A	655	241	0	N/A	2,314
1600-T	2,535	N/A	701	589	506	N/A	N/A	795	274	0	N/A	2,915
2200-T	3,650	N/A	995	850	729	N/A	N/A	1,187	437	0	N/A	4,198
2900-T	4,350	N/A	1,203	1,010	868	765	N/A	1,364	470	0	0	5,003
4700-T	7,580	N/A	N/A	1,760	1,513	1,332	N/A	N/A	819	0	0	8,717
7500-T	12,770	N/A	N/A	N/A	2,304	2,169	N/A	N/A	N/A	0	0	14,302

4	Plant Steam Consumption (kg/h) 4 bar 152°C (306°F) (5 bar a)						Cooling Water Consumption (l/h) 3 bar/15°C (59°F)					Feed Water Pressure 2-6 bar/15°C (59°F)
	Model	Capacity l/h	Number of Columns					Number of Columns				
4			5	6	7	8	4	5	6	7	8	
250-T	298	141	86	N/A	N/A	N/A	188	87	N/A	N/A	N/A	343
450-T	535	181	145	122	N/A	N/A	345	160	51	N/A	N/A	615
850-T	1,010	341	274	230	N/A	N/A	651	303	97	N/A	N/A	1,162
1200-T	1,765	N/A	474	390	334	N/A	N/A	550	191	0	N/A	2,030
1600-T	2,175	N/A	591	496	426	N/A	N/A	652	209	0	N/A	2,501
2200-T	3,200	N/A	859	734	628	N/A	N/A	997	345	0	N/A	3,680
2900-T	3,743	N/A	1,016	853	733	646	N/A	1,122	360	0	0	4,304
4700-T	6,520	N/A	N/A	1,487	1,278	1,125	N/A	N/A	626	0	0	7,498
7500-T	10,892	N/A	N/A	N/A	1,946	1,832	N/A	N/A	N/A	0	0	12,199

3	Plant Steam Consumption (kg/h) 3 bar 143°C (289°F) (4 bar a)						Cooling Water Consumption (l/h) 3 bar/15°C (59°F)					Feed Water Pressure 2-6 bar/15°C (59°F)
	Model	Capacity l/h	Number of Columns					Number of Columns				
4			5	6	7	8	4	5	6	7	8	
250-T	234	112	68	N/A	N/A	N/A	143	65	N/A	N/A	N/A	269
450-T	445	151	121	102	N/A	N/A	279	126	37	N/A	N/A	512
850-T	786	267	180	230	N/A	N/A	492	223	65	N/A	N/A	904
1200-T	1,475	N/A	398	328	280	N/A	N/A	436	139	0	N/A	1,696
1600-T	1,820	N/A	496	416	358	N/A	N/A	511	132	0	N/A	2,093
2200-T	2,676	N/A	722	617	527	N/A	N/A	791	252	0	N/A	3,077
2900-T	3,140	N/A	856	719	617	544	N/A	882	228	0	0	3,611
4700-T	5,460	N/A	N/A	1,249	1,073	945	N/A	N/A	397	0	0	6,279
7500-T	Not Applicable for 3 Bar Capacity											

Life Sciences
Capital Equipment

Life Sciences
Capital Equipment

For Further Information, contact:

STERIS®



STERIS Corporation
5960 Heisley Road
Mentor, OH 44060-1834 • USA
440-354-2600 • 800-444-9009
www.steris.com



STERIS Ltd.
Chancery House
190 Waterside Road
Hamilton Industrial Park
Leicester LE5 1QZ
UNITED KINGDOM